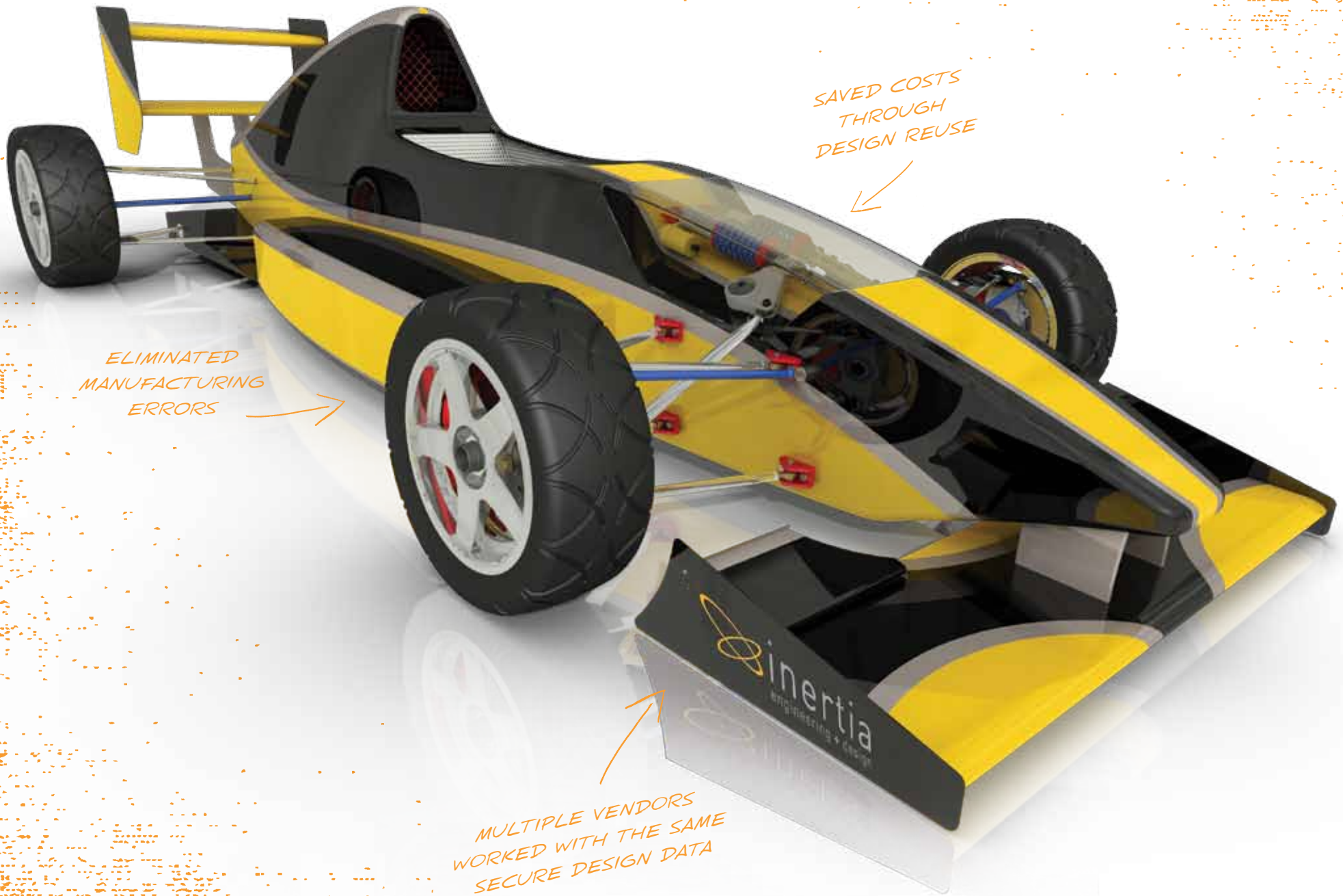


*"We needed to eliminate the
time and waste
associated with outdated approaches
to data management."*





ELIMINATED
MANUFACTURING
ERRORS

SAVED COSTS
THROUGH
DESIGN REUSE

MULTIPLE VENDORS
WORKED WITH THE SAME
SECURE DESIGN DATA

One of Inertia Engineering + Design's latest concepts, rendered in SolidWorks.
See how SolidWorks Enterprise PDM helped them streamline another project on page 5.

SOLIDWORKS ENTERPRISE PDM IS SOFTWARE THAT BRINGS ORGANIZATION, CONTROL, AND EFFICIENCY TO BUSINESSES AT A LOWER TOTAL COST-OF-OWNERSHIP OVER TIME

SolidWorks® Enterprise PDM can be deployed in as few as five days and with less than four hours of end-user training. By operating with one centralized vault for CAD data, an entire organization is instantly streamlined and connected. That means no more broken assemblies, unnecessary development delays, or accidental overwriting of files. From now on, every one of your designers, vendors, and customers will be working with the same secure data.

SolidWorks Enterprise PDM requires essentially no administrative time and gives you these key features:

- ▶ One centralized vault to secure your design data
 - ▶ Advanced search tools for easy design reuse
 - ▶ Built-in compliance standards
 - ▶ Significant ongoing savings in operational costs
 - ▶ A faster, streamlined workflow across your organization
-

This is the story of what SolidWorks Enterprise PDM can do for you, as told through the eyes of three SolidWorks customers.



Oceaneering International, Inc.



Inertia Engineering + Design Inc.



Martifer Group

OCEANEERING INTERNATIONAL, INC.

Subsea engineering technologies

*"I can sit in Houston and implement vaults
anywhere in the world. Now we keep the*

*work flowing,
which is how we make money."*

SOLIDWORKS ENTERPRISE PDM SEAMLESSLY INTEGRATES ANY SIZE OPERATION

Oceaneering International, Inc. specializes in developing a range of built-to-order technology and machinery for deepwater oil exploration. Their worldwide operation features thousands of employees in 66 locations and 18 countries. The company's rapid growth was creating a range of product development challenges—from unnecessary geometry re-creation to errors causing costly delays in product release.

"We needed to implement a PDM system that our employees would actually use in order to save time and money," Oceaneering's John Mullen explained. The company purchased 200 seats

of SolidWorks® Enterprise PDM worldwide, so that everyone connected to their business could access the same models and part lists. Within months, the software was paying huge dividends.

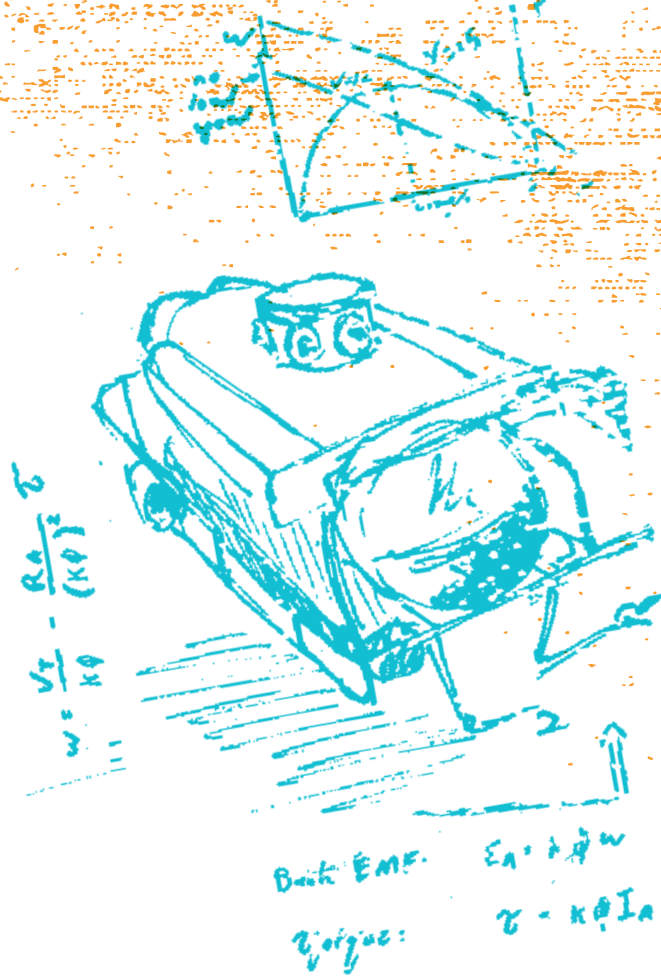
Engineers were finding files in seconds instead of hours. Manufacturers were working with the right parts. And products were getting to market faster than ever before. Plus, Mullen reports that his team "became proficient and began using SolidWorks Enterprise PDM after only three hours of training."

- ▶ Cut time-to-market in half
- ▶ Reduced development costs by 30%
- ▶ Increased design reuse by 40%
- ▶ Integrated design, manufacturing, and marketing

▶ KEY BENEFIT

ELIMINATE ERRORS AND OVERWRITTEN FILES WITH ONE SECURE DATA VAULT

SolidWorks Enterprise PDM gives you one central place to store all your design data. By giving managed access to internal users, partners, customers, and your supply chain, you will streamline your entire operation. Because everyone is working with the same secure documents, drawings, and part lists, you'll see a huge increase in productivity and eliminate the chance of a costly error caused by someone using the wrong version of a file.



INERTIA ENGINEERING + DESIGN INC.

Automotive and consumer product design

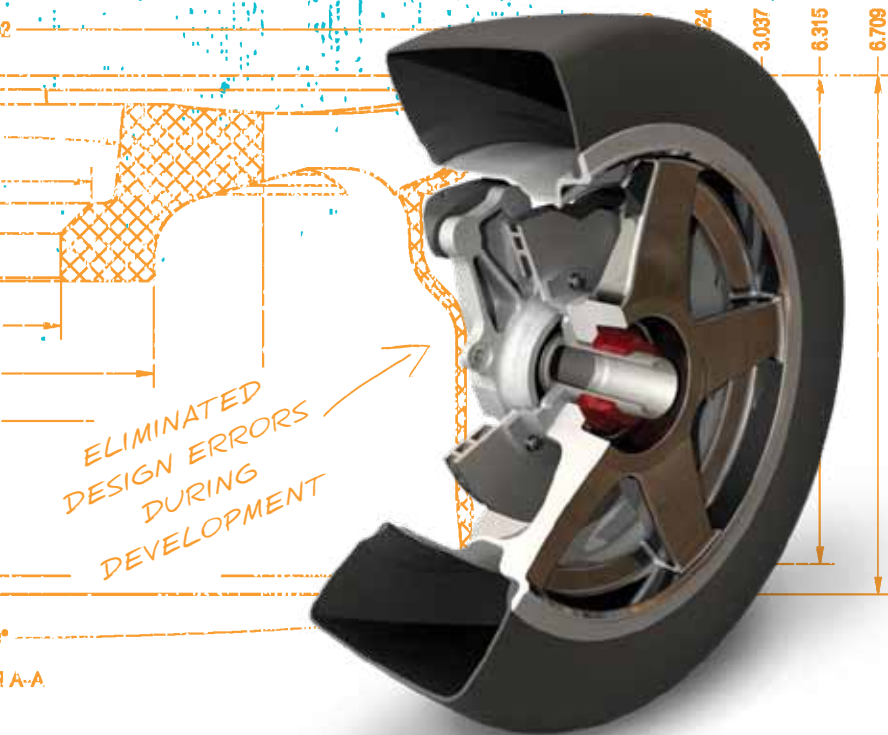
*"Using the SolidWorks
development platform helped me to*

launch my business.

*Adding SolidWorks Enterprise PDM software
has helped me to grow it."*



SOLIDWORKS ENTERPRISE PDM CAN DRASTICALLY SHORTEN YOUR DESIGN DEVELOPMENT TIME



Inertia Engineering + Design Inc. (IE+D) supplies fast-tracked design and engineering services for the automotive and consumer products industries. Being efficient and nimble is at the core of their business model.

IE+D first used SolidWorks® Enterprise PDM for the development of an all-electric, zero-emissions, and lightweight composite urban delivery vehicle. It was a highly complex initiative involving three outside companies, with IE+D as lead design contractor. Company founder Ray Minato wanted to avoid any chance of error, given the tight time frame.

"Doing this project without a centralized PDM system—relying on FTP, date-coding

of all drawings, file conversions, and data translations—would have become a nightmare in terms of revision control."

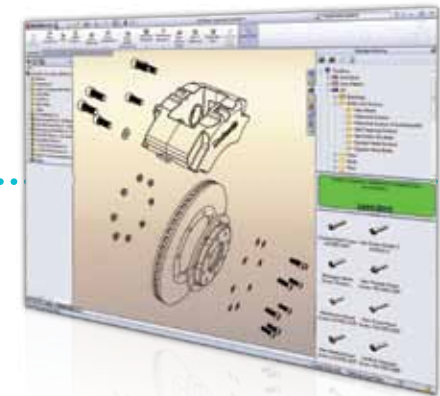
By using SolidWorks Enterprise PDM, Minato and his team were able to eliminate every one of those risks and simplify the coordination of parts, people, consultants, and vendors. What could have been a nightmare became a dream scenario: the innovative "QuickSider" delivery truck was delivered months ahead of schedule.

- ▶ Shortened development cycles by 30% to 40%
- ▶ Streamlined project communication and management
- ▶ Drastically reduced potential for design errors

▶ KEY BENEFIT

NEVER BUILD THE SAME PART TWICE

Since SolidWorks Enterprise PDM allows you to search for documents based on name, data, custom properties, title block data, and workflow stage, you can easily find and reuse design data. This added efficiency not only cuts down on time and costs, but also ensures greater organization-wide standardization and accuracy. And don't worry about broken assemblies—every revision is automatically saved as a new version. You might never issue another Engineering Change Order again.



MARTIFER GROUP

Cutting-edge energy technologies

*"The company had
grown so quickly
that we needed to take our systems
and processes to a completely new level."*

SOLIDWORKS ENTERPRISE PDM CAN EASILY BE CUSTOMIZED TO SPECIFIC WORKFLOW PROCESSES

The Martifer Group creates revolutionary energy technologies and stunning steel structures for everything from sports stadiums to wind tower farms. As a fast-growing corporation composed of 120 companies across 20 countries, coordinating communication and project management had always been a major challenge. "Our design groups were working in remote silos," explains Martifer's Director of Information Systems António Caroço. "We wanted to standardize our software solutions and establish best practices as a strategy for encouraging our divisions to work more closely together."

The company began by installing SolidWorks® Enterprise PDM in their Wind Energy System's division. They quickly saw that they had far fewer design revisions, a huge increase in design reuse, and a rapid surge in collaboration and innovation. Best of all, they shortened their development cycle by 15%.

After this initial success, Caroço says they plan on using it in other divisions. "We now view PDM as the key data foundation of the organization and plan on replicating our initial implementation throughout Martifer."

- ▶ Reduced development cycle by 15%
- ▶ Increased innovation and collaboration
- ▶ Decreased material costs
- ▶ Integrated a diverse global organization

▶ KEY BENEFIT

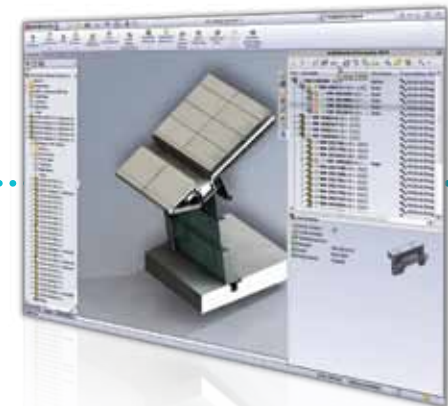
BILL-OF-MATERIALS CREATION ENSURES MANUFACTURING ALWAYS GETS THE RIGHT PARTS

With SolidWorks Enterprise PDM, a designer can automatically generate a bill of materials and easily edit it as necessary. This increases efficiency on the front end and safeguards against expensive errors at the manufacturer. In addition, SolidWorks Enterprise PDM helps you save more time with built-in batch publishing capabilities that enable you to print all items related to a project simultaneously.

ENGINEERS SHARE
DESIGN DATA ACROSS
20 COUNTRIES



DESIGN GROUPS
INCREASE
COLLABORATION





LEARN MORE ABOUT WHAT SOLIDWORKS **ENTERPRISE PDM** CAN DO FOR YOUR BUSINESS

You've seen the control, efficiencies, and cost savings SolidWorks® Enterprise PDM has brought small design firms and international corporations alike. Now find out more about what it could do for your organization. Talk to your local SolidWorks Value-Added Reseller for a custom evaluation, or visit www.solidworks.com to learn more about all the features of SolidWorks Enterprise PDM.

Secure Access	Protect your product design data with secure, managed access to authorized individuals, over a network or via the web. In addition to internal users, you can also permit access to partners, customers, and your supply chain.	●
Revision Control	Help your design team avoid overwriting files and help purchasing and manufacturing order and produce the correct parts, every time.	●
Find Files	Quickly and easily find SolidWorks files by searching on metadata.	●
Scalability	As your design organization grows, you'll work with the same high level of speed, functionality, and security.	●
Custom Configuration	SolidWorks Enterprise PDM is fully configurable to work effectively within your unique team structure, design process, and industry.	●
Find and Reuse Design Data	Quickly locate documents based on their names, contained data, attached metadata, workflow state, and many other parameters. For even greater productivity, you can predefine, save, and share your searches.	●
Full Document Preview	View and print more than 250 file types, including SolidWorks, AutoCAD®, Inventor®, Solid Edge®, PDF, and Microsoft Office®, plus images, animations, movie files, and many others.	●
Distributed Design Teams	For multisite, multinational companies, SolidWorks Enterprise PDM supports document and drawing vault replication over a WAN, making current design information immediately available worldwide.	●
Remote Access	Increase the productivity of designers, managers, and sales and marketing personnel by permitting remote access to design data.	●
Automated Approval Process	Increase productivity, quality, and accountability when you engage key users in workflow and approval processes. SolidWorks Enterprise PDM supports the automation of workflows.	●
Audit Trail	Quickly access a full audit trail of product development activities. Meet internal and external compliance reporting requirements. Identify process issues and drive continual improvement to maintain your competitive advantage.	●

