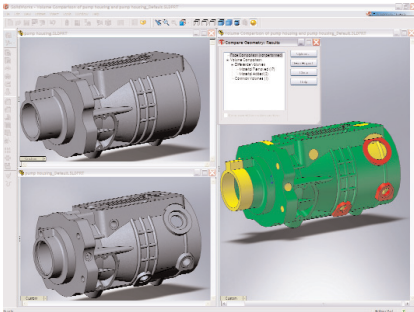


SolidWorks Utilities

A SUITE OF TIMESAVING PRODUCTIVITY ENHANCEMENTS FOR SOLIDWORKS
3D CAD SOFTWARE

SolidWorks® Utilities is a suite of timesaving productivity enhancements for users of SolidWorks 3D CAD software. Easy to set up and use, SolidWorks Utilities is fully integrated with SolidWorks software.



SolidWorks Utilities software helps you visualize the differences between parts more easily.

Find differences between two versions of the same part quickly and easily. Identify and highlight problematic geometry in a part. Find, modify, and suppress features within a model. Organized into eight categories – Compare Geometry, Compare Features, Compare Documents, Thickness Analysis, Feature Paint, Geometry Analysis, Power Select, and Power Editing – SolidWorks Utilities gives you the added capabilities you need to work more efficiently in any collaborative product development environment that requires multiple design changes and revisions.

Find geometry differences between parts with Compare Geometry. The Compare Geometry utility lets you compare geometry and identify modified areas between two versions of the same part. With Compare Geometry, you can compute “Face Comparison” and “Volume Comparison” quickly and easily.

- Face Comparison lets you compare the geometry of the corresponding faces of the two parts and calculates the differences. Then Face Comparison quickly tells you which faces are identical or unchanged, which faces have been modified with editing, and which faces are unique or completely different from each other. Any face differences or modifications are color-coded for easy identification.
- Volume Comparison enables you to subtract both parts from one another to find the volume differences and then calculate the intersection volumes between the two parts.

Compare Geometry also has a View Synchronization feature, which lets you change views of two versions of the same part simultaneously. View Synchronization helps you compare faces of the corresponding parts quickly and easily.

Find feature differences between parts with Compare Features. The Compare Features utility lets you compare features and identify modified areas between two versions of the same part. Compare Features identifies unique, modified, and identical features based on user-specified criteria, then color-codes any feature differences or modifications for easy visualization. After computing the differences, Compare Features allows you to display a list of unique features and pairs of modified features in both parts.

Simplify assemblies. The Simplify utility lets you take a SolidWorks assembly and reduce the level of detail in each part by removing features that are small in conjunction with the size of the assembly. The Simplify command will ignore mating faces, guaranteeing correct function of the simplified assembly, and build a simplified configuration quickly and easily.

Find differences in documents with Compare Documents. Finding document differences such as mass properties and general file sizes is easy using the Compare Documents utility.

Find design problems with Thickness Analysis. Interrogate your models to locate thick or thin regions that may cause downstream manufacturing problems.

Modify features with Feature Paint. The Feature Paint utility allows you to apply existing feature parameters and attributes from one feature to another.



Local language support

- Chinese
- Czech
- English
- French
- German
- Italian
- Japanese
- Korean
- Polish
- Portuguese
- Russian
- Spanish

Identify and highlight problematic imported geometry with Geometry Analysis. The Geometry Analysis utility helps you identify and highlight problematic imported geometry in a part based on user-specified parameters. Geometry Analysis allows you to find problems with imported geometry easily so that you can avoid errors downstream.

With Geometry Analysis, you can check quickly for:

- Sliver Faces – slivers below specified aspect ratios
- Small Faces – faces below specified area
- Small Edges – edges having very small length
- Knife Vertices – corners in a face where two adjacent edges meet a very sharp angle
- Discontinuous Edges – curves with C1/C2 discontinuities
- High Curvature Surfaces – surfaces with curvature below specified radius
- High Curvature Edges – edges with curvature below specified radius

After you perform the geometry analysis, you can report your results in a tree structure, which will highlight the model.

Select geometric entities with Power Select. The Power Select utility lets you select edges, loops, faces, and features based on geometric criteria.

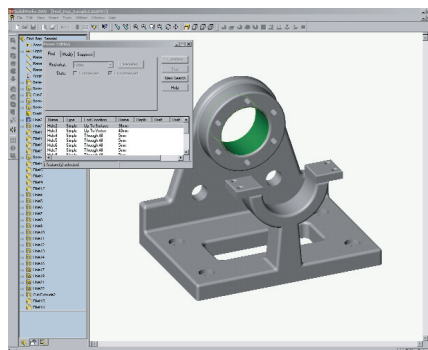
Modify formats with Format Paint. Establish dimension and annotation formatting properties within a design document and easily apply the same properties to other design documents.

Find/Replace Annotations. Find and replace annotations anywhere in parts, assemblies, and drawings.

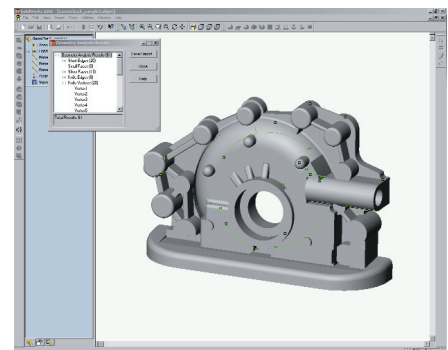
Work faster with Power Editing. The Power Editing feature lets you find, modify, and suppress features within a model based on their parameters. Power Editing makes it easy to locate features like holes, fillets, and extrusions, and either change the parameters of these features or suppress them for downstream processes.

Generate customized HTML reports. Both Compare Geometry and Compare Features have a Report Manager, which allows you to save the results of your comparative analysis in HTML format. The report can be customized to provide either a summary or a detailed report.

One hundred percent integrated with SolidWorks 3D CAD software. Easy to learn and use. SolidWorks Utilities integrates so fluidly, you'll be up and running in minutes.



Features are easy to find, modify, or suppress.



Geometric Analysis on imported parts provides you early detection of errors – before they cause problems downstream.

SolidWorks Corporation
300 Baker Avenue
Concord, MA 01742 USA
Phone: 1 800 693 9000
Outside the US: +1 978 371 5011
Email: info@solidworks.com

Europe Headquarters
Phone: +33 4 42 15 03 85
Email: infoeurope@solidworks.com

Japan Headquarters
Phone: +81 3 5447 8080
Email: infojapan@solidworks.com

Asia/Pacific Headquarters
Phone: +65 6511 9188
Email: infoap@solidworks.com

Latin America Headquarters
Phone: +55 11 3186 4150
Email: infola@solidworks.com

