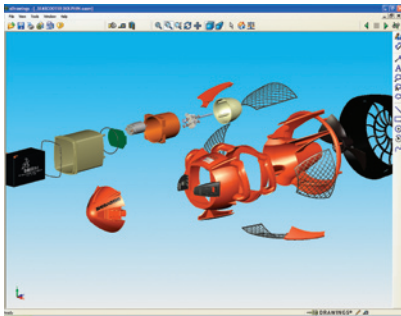
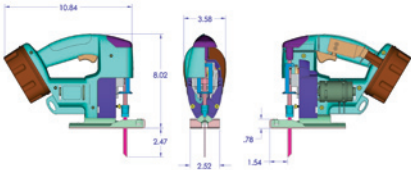


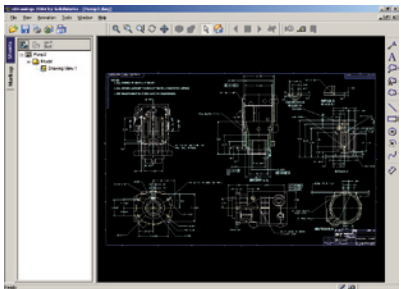
# eDrawings Professional

A NEW STANDARD FOR DESIGN COLLABORATION

Communicate product designs more effectively with eDrawings® Professional – the first email-enabled communication tool that dramatically eases the review of 2D and 3D product design data across your extended product development teams.



Make your drawings easier to interpret by shading the 3D model of the drawing views.



Collaborate on DXF and DWG files by opening files directly into the eDrawings Viewer.

## Speed product design reviews

Shorten the product design review process with eDrawings Professional, the first email-enabled communication tool that significantly improves your ability to share 2D and 3D product design data. eDrawings Professional provides innovative capabilities that eliminate common communications barriers and speed the design review process. Unlike CAD files, eDrawings files are compact and easy to email, typically requiring 95 percent less bandwidth to transmit. In addition, unlike PDF files, eDrawings are highly interactive, allowing recipients to view designs in 3D. Once you start using eDrawings, you'll wonder how you ever managed without it.

## View, mark up, measure, and review-enable eDrawings files

Reduce design steps through dozens of time-saving innovations. Lessen visual clutter and minimize fatigue with Heads-up User Interaction, a set of intuitive display and control functions.

Simplify design reviews with the powerful and intuitive viewing, markup, and measuring capabilities provided only by eDrawings Professional. Generate accurate representations of 2D drawings and 3D models that anyone can view, mark up, and measure without having to purchase their own markup tools. If you wish, you can automatically embed the free eDrawings Viewer with any eDrawings files that you send, so reviewers don't even need to download the viewer.

Create review-enabled documents that allow an unlimited number of eDrawings recipients to mark up and measure your designs without having to purchase eDrawings Professional or any other markup tool.

- Publish accurate representations of 3D models and 2D drawings created with various CAD systems, including SolidWorks®, AutoCAD®, Pro/ENGINEER®, Autodesk Inventor®, CATIA®, Unigraphics®/NX™, Solid Edge®, and CoCreate OneSpace™.
- View and print native SolidWorks, AutoCAD, DWG, and DXF™ files.
- Create, edit, and save reviews by redlining 2D or 3D data and adding written comments.
- Measure geometry in part, assembly, and drawing files when dimensions are omitted from an eDrawings file. To protect sensitive design data, simply disable the measurement feature.
- Visualize designs more effectively by moving a dynamic cross-sectioning plane through parts and assemblies to see design details typically hidden from view.
- Take advantage of eDrawings files for rapid prototyping and presentation purposes by saving files in STL, TIFF, JPEG, or BMP formats.
- Password-protect your eDrawings files, encouraging users to more fully share design data.
- Protect intellectual property by adding a stamp image to any 2D eDrawings file and a transparent watermark to any 3D eDrawings file.



- View animations created with SolidWorks Animator and observe in real time how moving parts interact as true solids.

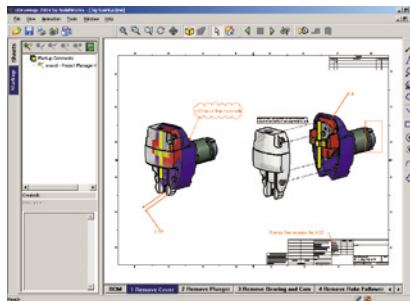
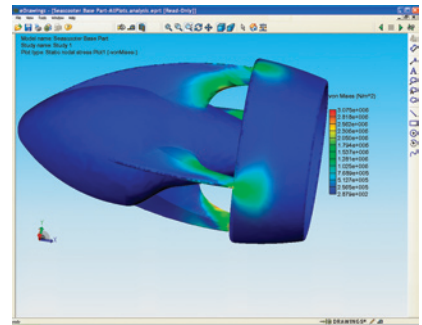
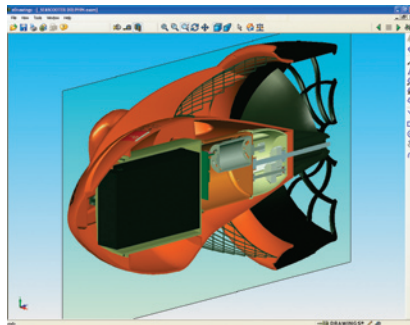
### Share product designs more easily

Use eDrawings Professional to share product design information more easily with other product designers, marketing and manufacturing staff, suppliers, and customers. eDrawings automatically captures all kinds of design data including SolidWorks configurations, exploded views, and analysis results from COSMOSWorks® and COSMOSXpress™. Say goodbye to productivity barriers such as incompatible data, slow fax machines, and overnight packages. Now you can instantly create compressed product design files that are very convenient to send and receive via email.

### Enable others to interpret your designs more effectively

Bring product concepts to life with interactive eDrawings files that allow others to interpret and understand your designs more effectively. eDrawings Professional interpretation tools include:

- 3D Pointer – Easily identify and match geometry in multiple drawing views, allowing easier interpretation when comparing the same location within different views.
- Virtual Folding – Open individual views in a drawing and arrange them as desired, regardless of how the views were arranged in the original drawing. eDrawings Professional automatically arranges the views intelligently and enables printing and exporting of any subset of a drawing.
- Point-and-Click Animation – Quickly interpret and understand any SolidWorks drawing by dynamically viewing the 3D model as it automatically rotates through each drawing view.
- Hyperlinking – Simply click on any view annotation and the corresponding view is immediately highlighted, making navigating a drawing as easy as browsing a web page.



Share multiple design configurations in one compact eDrawings file. **ABOVE LEFT**

Review-enable eDrawings files so that anyone with the free eDrawings Viewer can collaborate with you on design projects. **LEFT**

Easily share analysis results from COSMOSWorks or COSMOSXpress. **ABOVE RIGHT**

SolidWorks Corporation  
300 Baker Avenue  
Concord, MA 01742 USA  
Phone: 1 800 693 9000  
Outside the US: +1 978 371 5011  
Email: [info@solidworks.com](mailto:info@solidworks.com)

Europe Headquarters  
Phone: +33 4 42 15 03 85  
Email: [infoeurope@solidworks.com](mailto:infoeurope@solidworks.com)

Japan Headquarters  
Phone: +81 3 5447 8080  
Email: [infojapan@solidworks.com](mailto:infojapan@solidworks.com)

Asia/Pacific Headquarters  
Phone: +65 6511 9188  
Email: [infoap@solidworks.com](mailto:infoap@solidworks.com)

Latin America Headquarters  
Phone: +55 11 3186 4150  
Email: [infola@solidworks.com](mailto:infola@solidworks.com)

